



Aprilia Pegaso 650 Trail (2007)

Slip-On SP Series Exhaust System

Akrapovic Slip-On SP-Series Exhaust System

for the Aprilia Pegaso 650 Trail (2007)

We have developed a new Akrapovic SLIP-ON SP series for the new Aprilia Pegaso which fits perfectly with the styling of the bike with titanium mufflers on both sides. Aesthetically this gives the bike an even more pronounced supermoto look. Despite the fact that the Akrapovic SLIP-ON SP series is a basic level tuning component, the Aprilia engine gets a significant boost in both power and torque. At 6000 rpm we measured over 47 HP. The system has installed noise dampers and it is approved for street use.

PERFORMANCE

Measurements of the Akrapovic SLIP-ON SP SERIES system on the APRILIA PEGASO STRADA 650 (without noise dampers):

Power & Torque: the power and torque curves clearly show the effect of installing the Akrapovic SLIP-ON SP series exhaust system. The power increase starts at low revs and parallels the stock curve all the way to the top of the range. But the boost in torque is the main advantage of the Akrapovic SLIP-ON system. Torque is increased at the low end and middle of the range, which makes the bike more responsive and rideable in everyday traffic.

CONFIGURATION

The Akrapovic SLIP-ON SP series is composed of two cylindrical stainless steel link pipes and two oval mufflers. The link pipes are welded to the mufflers. At the other end the link pipes are attached to the stock header assembly with sleeve joints, which are double-secured with a metal clamp and a silicon-shielded spring. Due to the welding of the mufflers to the stainless steel link pipes, the interior of the mufflers and inlet caps are made of stainless steel, while the outlet caps and outer sleeves of the mufflers are made of titanium. The outer sleeves are available only in titanium. The mufflers are attached to the frame with Akrapovic carbon-fiber clamps. The mufflers have installed SP series noise damper.

	PERFORMANCE		
	stock	AKRAPOVIC	max. increased power
max. rear wheel power HP / rpm (measured on Dynojet ATV)	45.8 / 5800	47.2 / 6000	2.7 / 4200

	CONFIGURATION		
	header tubes	collector	link pipe
material	-	-	STAINLESS STEEL
tube shape	-	-	CYLINDRICAL

interference crossover tubes	-	lambda sensor	-
header tube inner sleeves	-	header tube flanges	-
header tubes - collector connection	-	collector / header tube - link pipe connection	SLEEVE JOINT + SILICON SHILDED SPRING+ METAL CLAMP
link pipe - muffler connection	WELDED	muffler inlet cap / outlet cap	STAINLESS STEEL / TITANIUM
muffler metal interior	STAINLESS STEEL	muffler outer sleeve	TITANIUM
muffler clamp	CARBON-FIBER ROAD	muffler bracket	-
muffler insert	EU	NOISE DAMPER	heat shield
	US	-	catalytic converter
			YES

	ADDITIONAL DATA				
	stock	AKRAPOVIC		difference	
weight comparison (kg)	8.33	S.S. link pipe	TITANIUM link pipe	stock - S.S.	stock - TITANIUM
		4.42	-	3.91	-
		stock		AKRAPOVIC	
noise measurements (dB / rpm)	85 / 3125		96 / 3125 (open) 84.2 / 3125 (noise damper)		
	oil		oil filter		
possibility of periodic service without removing A.E.S.	YES		YES		
legal for street use	YES				

Technical specifications of Akrapovic exhaust systems and related products subject to change without notice.

Product code: 107873 (SS-A6SO2C-HDT)

Akrapovic Slip-On SP-Series Exhaust System for the Aprilia Pegaso 650 Trail (2007)



Akrapovic Exhaust System Technology copyright 2007, all rights reserved

Road
Program

Product code: 107873 (SS-A6S02C-HDT)

Akrapovic Slip-On SP-Series Exhaust System for the Aprilia Pegaso 650 Trail (2007)



Akrapovic Exhaust System Technology copyright 2007, all rights reserved

Road
Program

Product code: 107873 (SS-A6S02C-HDT)

Akrapovic Slip-On SP-Series Exhaust System for the Aprilia Pegaso 650 Trail (2007)



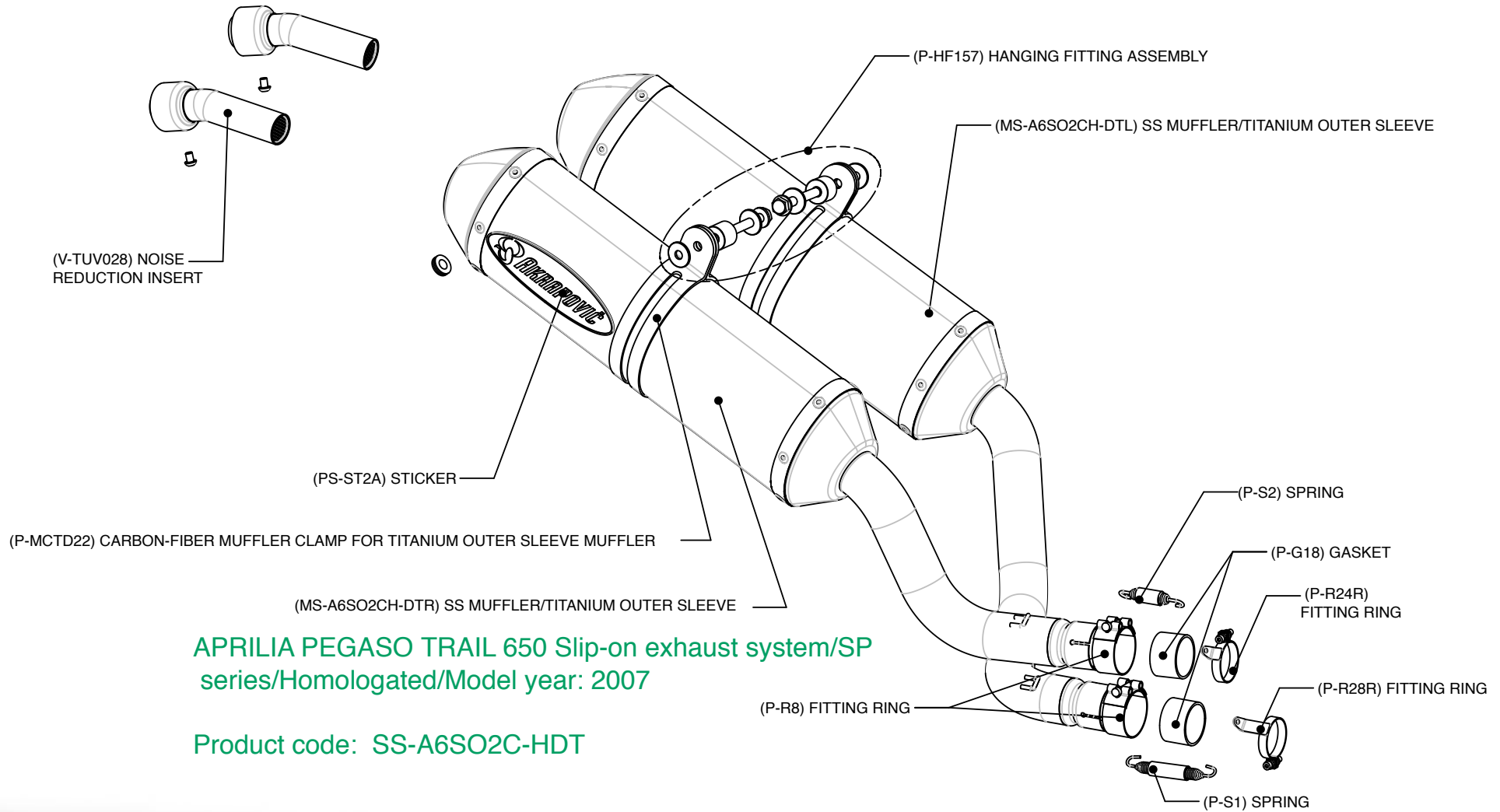
Akrapovic Exhaust System Technology copyright 2007, all rights reserved

Road Program

Product code: 107873 (SS-A6SO2C-HDT)

Akrapovic Slip-On SP-Series Exhaust System for the Aprilia Pegaso 650 Trail (2007)

Akrapovic Exhaust System Technology copyright 2007, all rights reserved



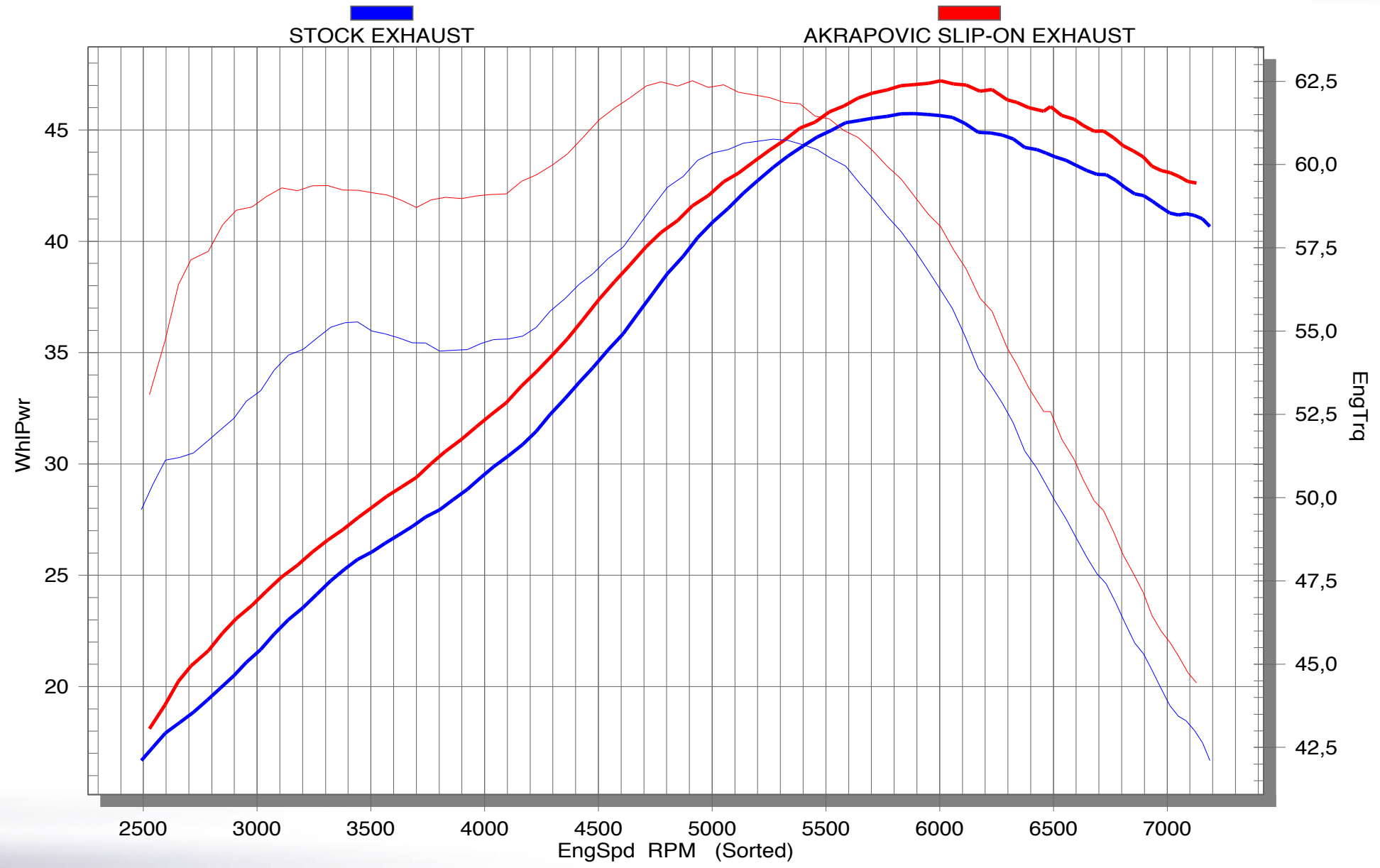
APRILIA PEGASO TRAIL 650 Slip-on exhaust system/SP series/Homologated/Model year: 2007

Product code: SS-A6SO2C-HDT

Product code: 107873 (SS-A6SO2C-HDT)

Akrapovic Slip-On SP-Series Exhaust System

for the Aprilia Pegaso 650 Trail (2007)



Road Program

Product code: 107873 (SS-A6SO2C-HDT)



Akrapovic Exhaust System Technology copyright 2007, all rights reserved