



Kawasaki ER-6 N/F (2006)

Slip-On SP Series Exhaust System

Akrapovic Slip-On SP Series Exhaust System

for the Kawasaki ER-6 N/F (2006)

The Akrapovic Slip-On SP Series system is designed for riders who are looking for dependable everyday street performance. The system is an excellent combination of production quality, base-level performance upgrade, visual enhancement and affordability. The system includes an installed noise damper and conforms to all regulations for exhaust system noise levels for street use.

PERFORMANCE

Measurements of the Akrapovic SLIP-ON SP SERIES system on the KAWASAKI ER-6 N/F (without muffler insert):

Power & Torque: for a base-level tuning component, the Akrapovic Slip-On SP series system provides a major boost to the responsiveness of the Kawasaki twin. Power and torque are increased throughout the rpm range. The best feature is the increase in the middle of the range around 5000 rpm, the everyday working part of the range. At 9000 rpm we measured 69 HP, with max. increased power of 3.8 HP at 5600 rpm.

CONFIGURATION

The Akrapovic SLIP-ON SP SERIES system is composed of a stainless steel cylindrical link pipe and muffler. The link pipe is welded to the muffler, and is attached to the stock header assembly with a sleeve joint secured with a metal clamp and a silicon-shielded spring. All of the component parts of the muffler except the outer sleeve - the inlet cap, perforated inner sleeve and outlet cap, are made of stainless steel. The outer sleeve is available only in titanium. The muffler is attached to the frame using a special Akrapovic carbon-fiber clamp. The muffler has an installed noise damper and conforms to all regulations for exhaust system noise levels for street use. A catalytic converter is available as an option.

	PERFORMANCE		
	stock	AKRAPOVIC	max. increased power
max. rear wheel power HP / rpm (measured on Dynojet ATV)	67.1 / 9000	69 / 9000	3.8 / 5600

	CONFIGURATION		
	header tubes	collector	link pipe
material	-	-	STAINLESS STEEL
tube shape	-	-	CYLINDRICAL

interference crossover tubes	-	lambda sensor	-	
header tube inner sleeves	-	header tube flanges	-	
header tubes - collector connection	-	collector / header tube - link pipe connection	SLEEVE JOINT+ METAL CLAMP + SILICON SHIELDED SPRING	
link pipe - muffler connection	WELDED	muffler inlet cap /outlet cap	STAINLESS STEEL / STAINLESS STEEL	
muffler metal interior	STAINLESS STEEL	muffler outer sleeve	TITANIUM	
muffler clamp	CARBON-FIBER	muffler bracket	-	
muffler insert	EU	NOISE DAMPER	heat shield	-
	US	-	catalytic converter	OPTIONAL

	ADDITIONAL DATA				
	stock	AKRAPOVIC		difference	
		S.S. link pipe	TITANIUM link pipe	stock - S.S.	stock - titanium
weight comparison (kg)	6.66	1.69	-	4.97	-

noise measurements (dB / rpm)	stock	AKRAPOVIC
	94 / 4250	94 / 4250
possibility of periodic service without removing A.E.S.	oil	oil filter
	YES	YES
legal for street use	YES	

Technical specifications of Akrapovic exhaust systems and related products subject to change without notice.

Product code: 106201 (SS-K6SO4-HTT)

Akrapovic Slip-On SP Series Exhaust System for the Kawasaki ER-6 N/F (2006)



Road
Program

Product code: 106201 (SS-K6SO4-HTT)

Akrapovic Slip-On SP Series Exhaust System for the Kawasaki ER-6 N/F (2006)



Akrapovic Exhaust System Technology copyright 2006, all rights reserved

Road Program

Product code: 106201 (SS-K6SO4-HTT)

Akrapovic Slip-On SP Series Exhaust System for the Kawasaki ER-6 N/F (2006)

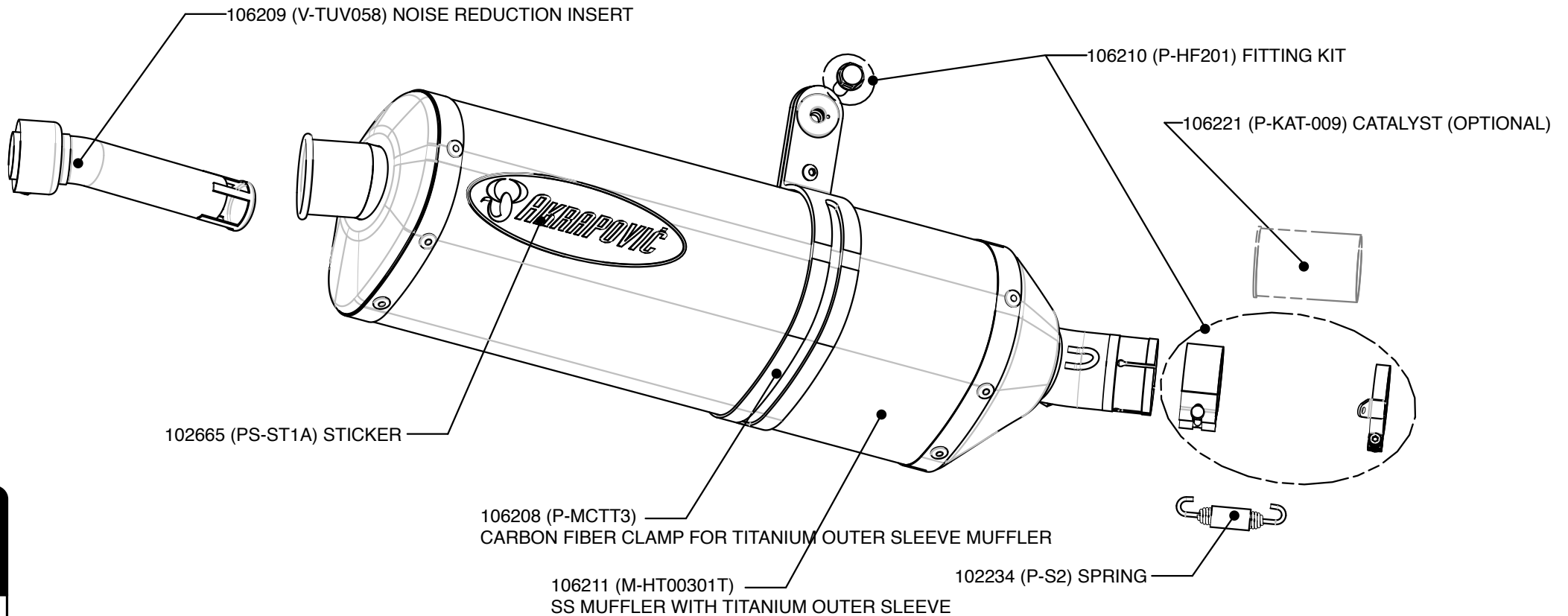


Akrapovic Exhaust System Technology copyright 2006, all rights reserved

Road Program

Product code: 106201 (SS-K6SO4-HTT)

Akrapovic Slip-On SP Series Exhaust System for the Kawasaki ER-6 N/F (2006)



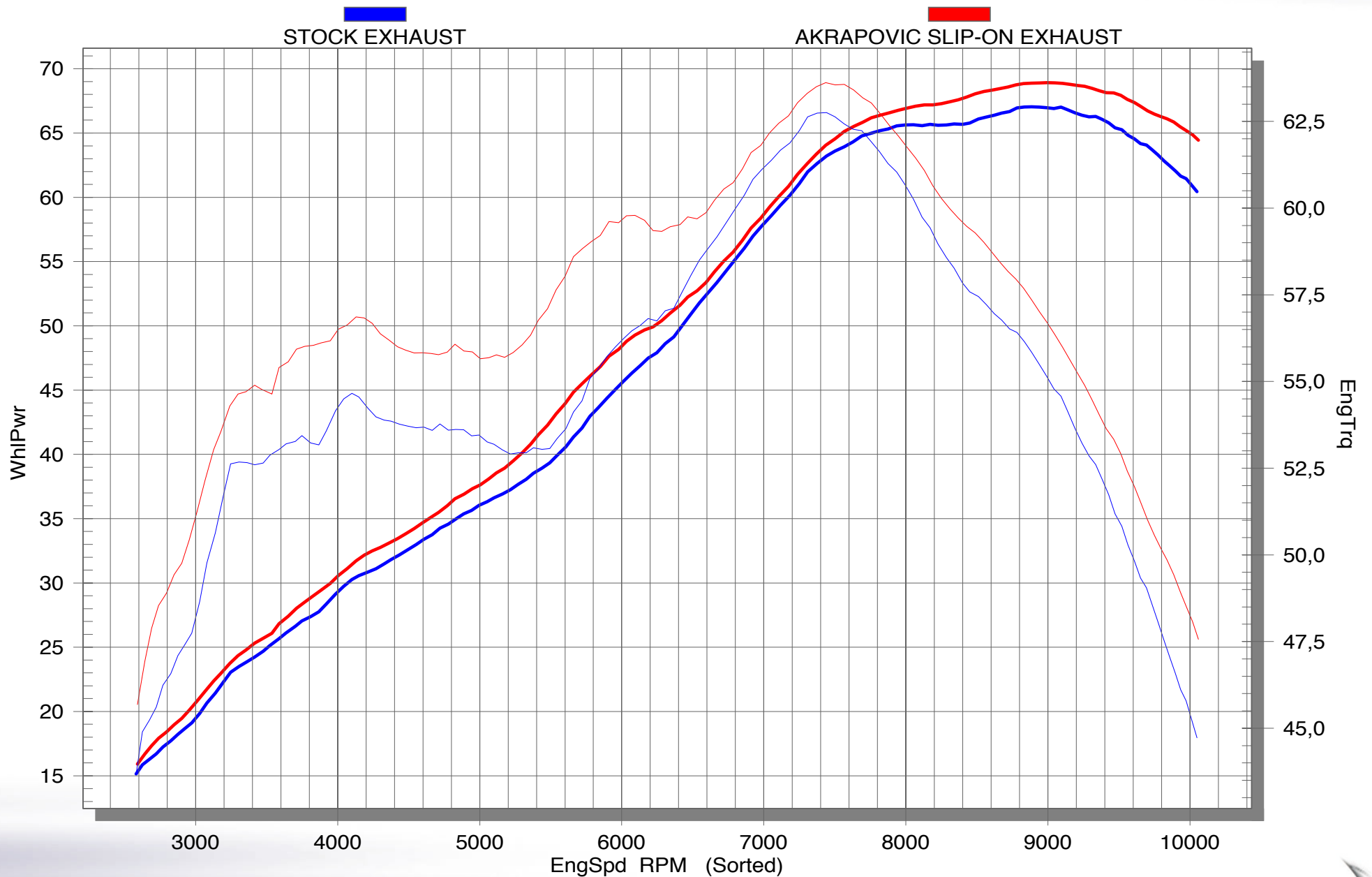
Akrapovic Exhaust System Technology copyright 2006, all rights reserved

Road Program

Product code: 106201 (SS-K6SO4-HTT)

Akrapovic Slip-On SP Series Exhaust System

for the Kawasaki ER-6 N/F (2006)



Road Program

Product code: 106201 (SS-K6SO4-HTT)

