



**SUZUKI B-KING**

**(2008)**

**RACING & EVOLUTION EXHAUST SYSTEM**

[www.akrapovic.com](http://www.akrapovic.com)

The Akrapovic Slip-On system is designed for riders who are looking for a base-level exhaust system modification. It is an excellent combination of performance, production quality and affordability. The HEXAGONAL muffler design complements the aggressive styling of the Suzuki. The SLIP-ON is available in open and also in street legal version.

**PERFORMANCE**

Measurements of the Akrapovic SLIP-ON open system on the SUZUKI B-KING (without muffler insert):

Power & Torque: the Akrapovic Slip-On system delivers increase engine responsiveness. The increase gradually expands from the 4000 rpm. From there to the top of the range the increase remains at the same level. At 9680 rpm we measured 175.1 HP, with a max. increased power of 5.2 HP at 6300 rpm.

**CONFIGURATION**

The Akrapovic Slip-On system for the Suzuki is composed of a cylindrical titanium link pipes and a pair of HEXAGONAL mufflers. The link pipes are attached to the stock header assembly with sleeve joints and a metal clamps. The outer sleeves of the HEXAGONAL mufflers are available in titanium or carbon fiber. The inlet cap and perforated inner sleeve are made of titanium, while the outlet cap is made of carbon fiber. The system is attached to the frame using an Akrapovic carbon fiber clamps. We also offer carbon-fiber heat shields and a steel registration plate holder.

	PERFORMANCE		
	stock	AKRAPOVIC	max. increased power
max. rear wheel power HP / rpm (measured on Dynojet ATV)	172.4 / 9700	175.1 / 9680	5.2 / 6300

	CONFIGURATION		
	header tubes	collector	link pipe
material	-	-	STAINLESS STEEL
tube shape	-	-	CYLINDRICAL

interference crossover tubes	-	lambda sensor	NO	
header tube inner sleeves	-	header tube flanges	-	
header tubes - collector connection	-	collector / header tube - link pipe connection	SLEEVE JOINT + METAL CLAMP+	
link pipe - muffler connection	WELDED	muffler inlet cap /outlet cap	STAINLESS STEEL / CARBON-FIBER	
muffler metal interior	STAINLESS STEEL	muffler outer sleeve	TITANIUM	
muffler clamp	CARBON-FIBER	muffler bracket	S.S.	
muffler insert	EU	YES	heat shield	NO
	US	-	catalytic converter	NO(STOCK)

	ADDITIONAL DATA				
	stock	AKRAPOVIC		difference	
weight comparison (kg)	10.81	S.S. link pipe	TITANIUM link pipe	stock - S.S.	stock - titanium
		0.0	0.31	0.0	6.69
noise measurements (dB / rpm)	stock		AKRAPOVIC		
	90 / 4750		90 / 4750 , 94 / 4750		
possibility of periodic service without removing A.E.S.	oil		oil filter		
	YES		YES		
legal for street use	YES / NO				

Technical specifications of Akrapovic exhaust systems and related products subject to change without notice.



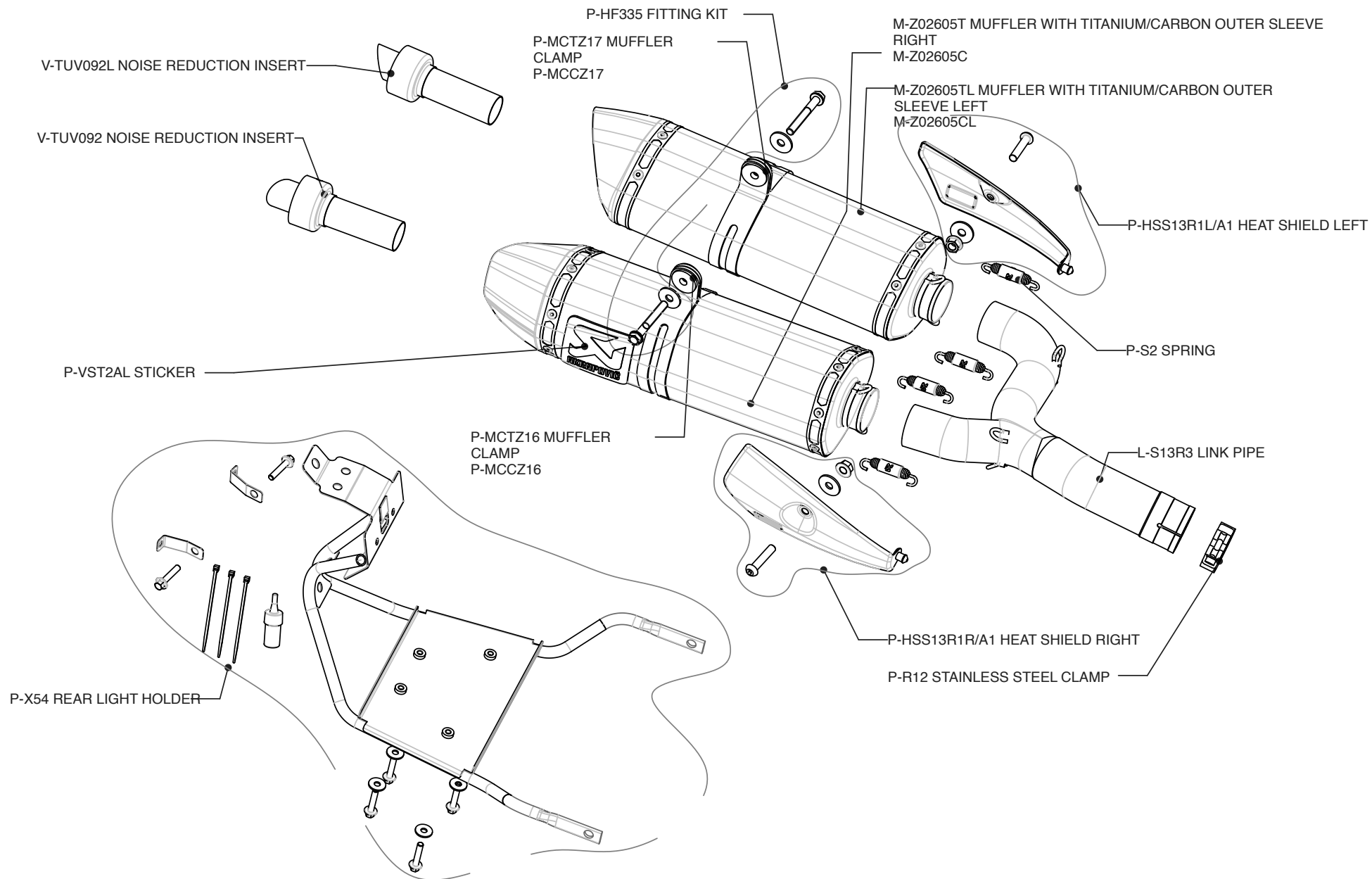
Product code: (110143) S-S13SO3-ZC, (110142) S-S13SO3-ZT - open  
(110145) S-S13SO3-HZC, (110144) S-S13SO3-HZT - street legal

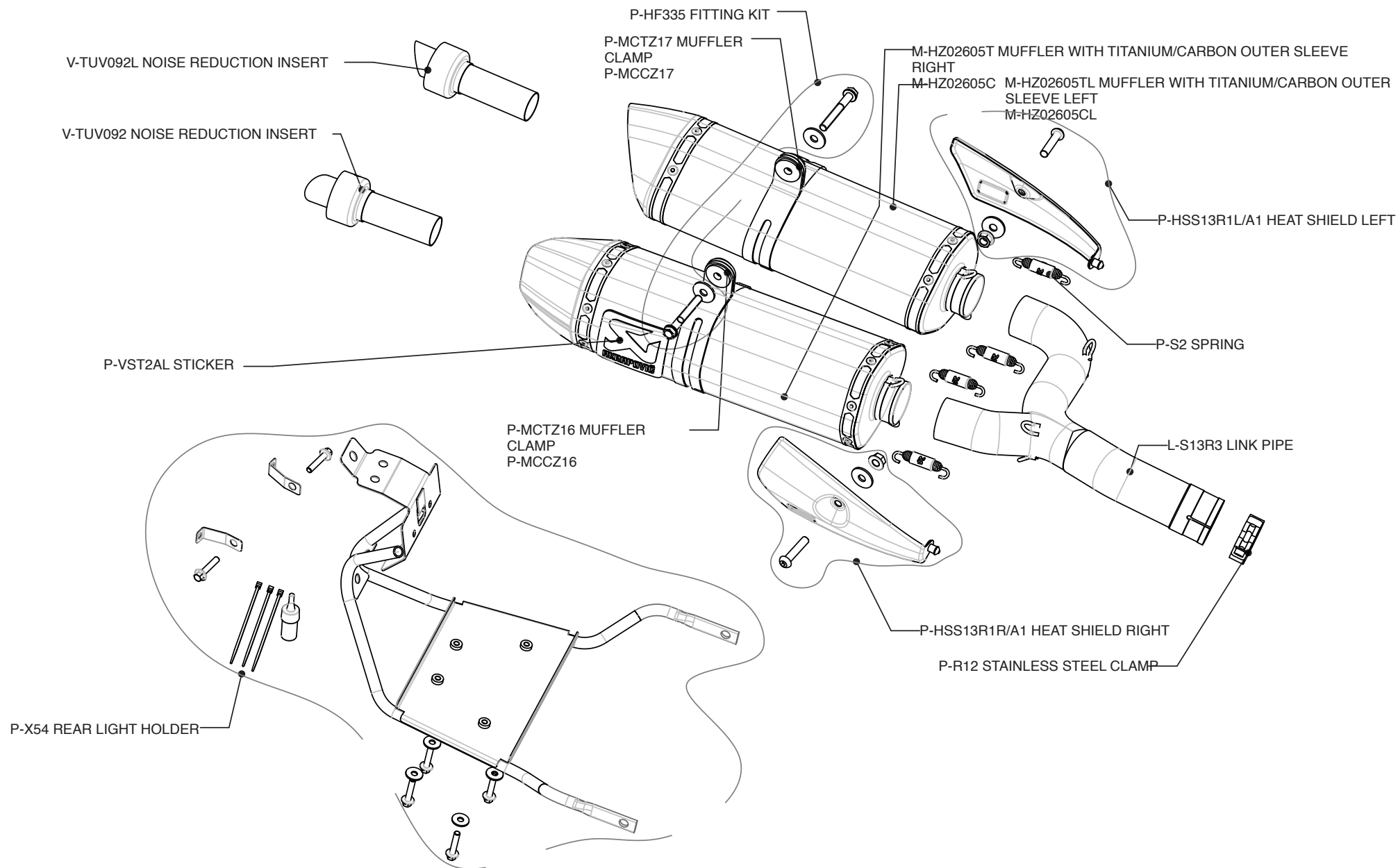


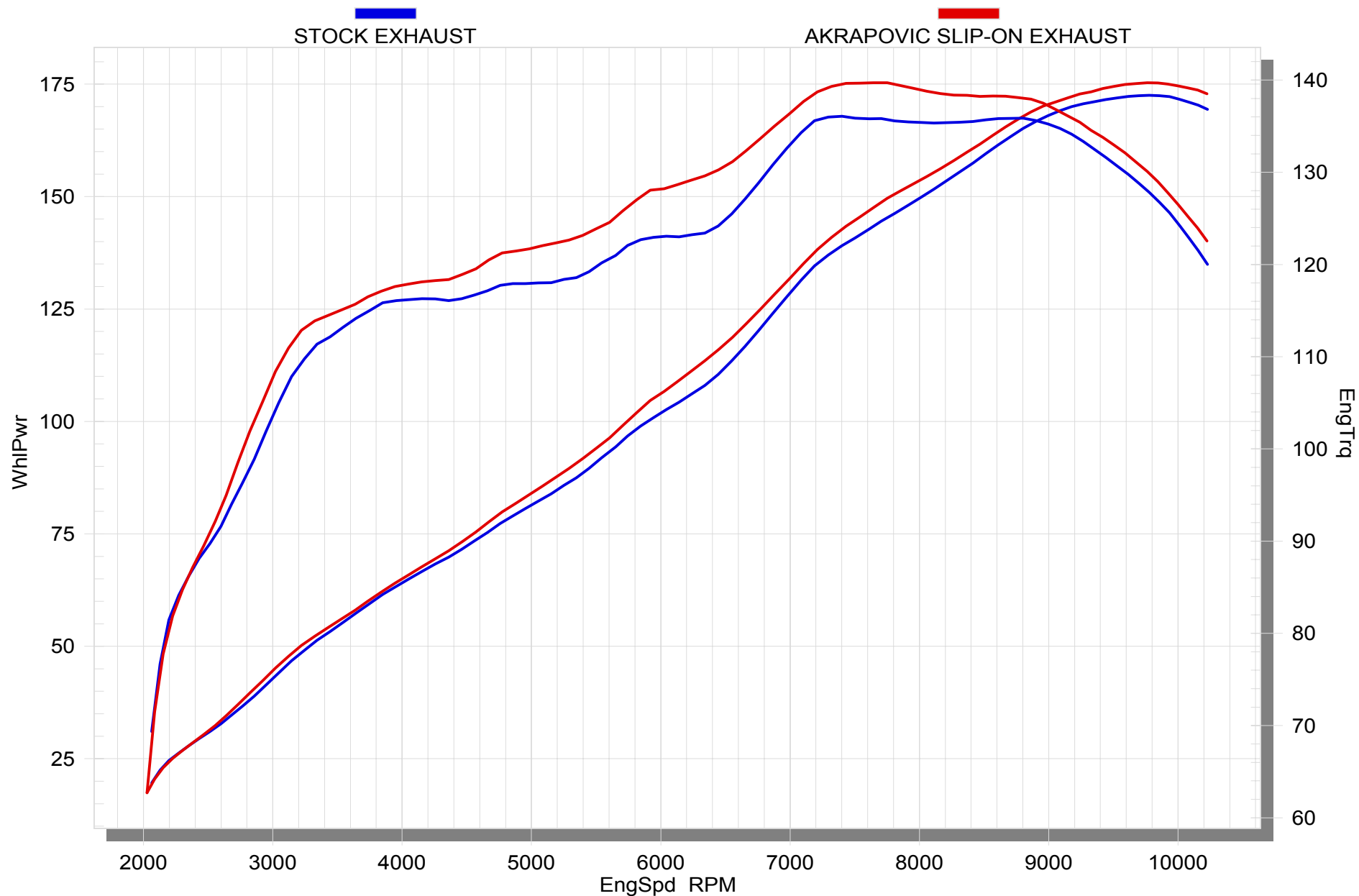
Product code: (110143) S-S13SO3-ZC, (110142) S-S13SO3-ZT - open  
(110145) S-S13SO3-HZC, (110144) S-S13SO3-HZT - street legal



Product code: (110143) S-S13SO3-ZC, (110142) S-S13SO3-ZT - open  
(110145) S-S13SO3-HZC, (110144) S-S13SO3-HZT - street legal







Product code: (110143) S-S13SO3-ZC, (110142) S-S13SO3-ZT - open  
 (110145) S-S13SO3-HZC, (110144) S-S13SO3-HZT - street legal

