



Suzuki GSX-R 750 (2006 - 2007)

Slip-On2 Open Exhaust System

Akrapovic Slip-On2 Open Exhaust System

for the Suzuki GSX-R 750 (2006 - 2007)

The Akrapovic Slip-On system is designed for riders who are looking for a base-level exhaust system modification. It is an excellent combination of performance, production quality and affordability. The HEXAGONAL muffler design complements the sports styling of the Suzuki. Slip-on2 open exhaust system doesn't comply to noise levels for street use, therefore it is made for close circuit track use only.

PERFORMANCE

Measurements of the Akrapovic SLIP-ON2 open system on the SUZUKI GSX-R 750 (without muffler insert):

Power & Torque: the Akrapovic Slip-On system delivers increase engine responsiveness. The increase gradually expands from the 5500 rpm. From there to the top of the range the increase remains at the same level. At 13270 rpm we measured 137.5 HP, with a max. increased power of 5.4 HP at 9200 rpm.

CONFIGURATION

The Akrapovic Slip-On system for the Suzuki is composed of a conical stainless steel link pipe and a HEXAGONAL muffler. The link pipe is attached to the stock header assembly with sleeve joint and a metal clamp. The outer sleeve of the HEXAGONAL muffler is available in titanium. The inlet cap and perforated inner sleeve are made of stainless steel, while the outlet cap is made of carbon fiber. The system is attached to the frame using an Akrapovic carbon fiber clamp and a stainless steel bracket.

	PERFORMANCE		
	stock	AKRAPOVIC	max. increased power
max. rear wheel power HP / rpm (measured on Dynojet ATV)	134 / 13200	137.5 / 13270	5.4 / 9200

	CONFIGURATION		
	header tubes	collector	link pipe
material	-	-	S.S.
tube shape	-	-	CYLINDRICAL

interference crossover tubes	-	lambda sensor	NO	
header tube inner sleeves	-	header tube flanges	STAINLESS STEEL	
header tubes - collector connection	-	collector / header tube - link pipe connection	SLEEVE JOINT + METAL CLAMP	
link pipe - muffler connection	WELDED	muffler inlet cap / outlet cap	S.S. / Carbon-fiber	
muffler metal interior	STAINLESS STEEL	muffler outer sleeve	TITANIUM	
muffler clamp	CARBON-FIBER	muffler bracket	S.S.	
muffler insert	EU	NOISE DAMPER	heat shield	NO
	US	-	catalytic converter	NO(STOCK)

	ADDITIONAL DATA				
	stock	AKRAPOVIC		difference	
		S.S. link pipe	TITANIUM link pipe	stock - S.S.	stock - titanium
weight comparison (kg)	6.29	1.63	-	4.66	-

noise measurements (dB / rpm)	stock	AKRAPOVIC
	102 / 6600	102 / 6600 (with insert)
possibility of periodic service without removing A.E.S.	oil	oil filter
	YES	YES
legal for street use	NO	

Technical specifications of Akrapovic exhaust systems and related products subject to change without notice.

Product code: 107793 (S-S6SO5-TT)
107891 (S-S6SO5-TC)

Akrapovic Slip-On2 Open Exhaust System for the Suzuki GSX-R 750 (2006 - 2007)



CARBON-FIBER
MUFFLER CLAMP

Road
Program

Product code: 107793 (S-S6SO5-TT)
107891 (S-S6SO5-TC)

Akrapovic Slip-On2 Open Exhaust System for the Suzuki GSX-R 750 (2006 - 2007)



Akrapovic Exhaust System Technology copyright 2007, all rights reserved

Road
Program

Product code: 107793 (S-S6SO5-TT)
107891 (S-S6SO5-TC)

Akrapovic Slip-On2 Open Exhaust System for the Suzuki GSX-R 750 (2006 - 2007)



Akrapovic Exhaust System Technology copyright 2007, all rights reserved

Road Program

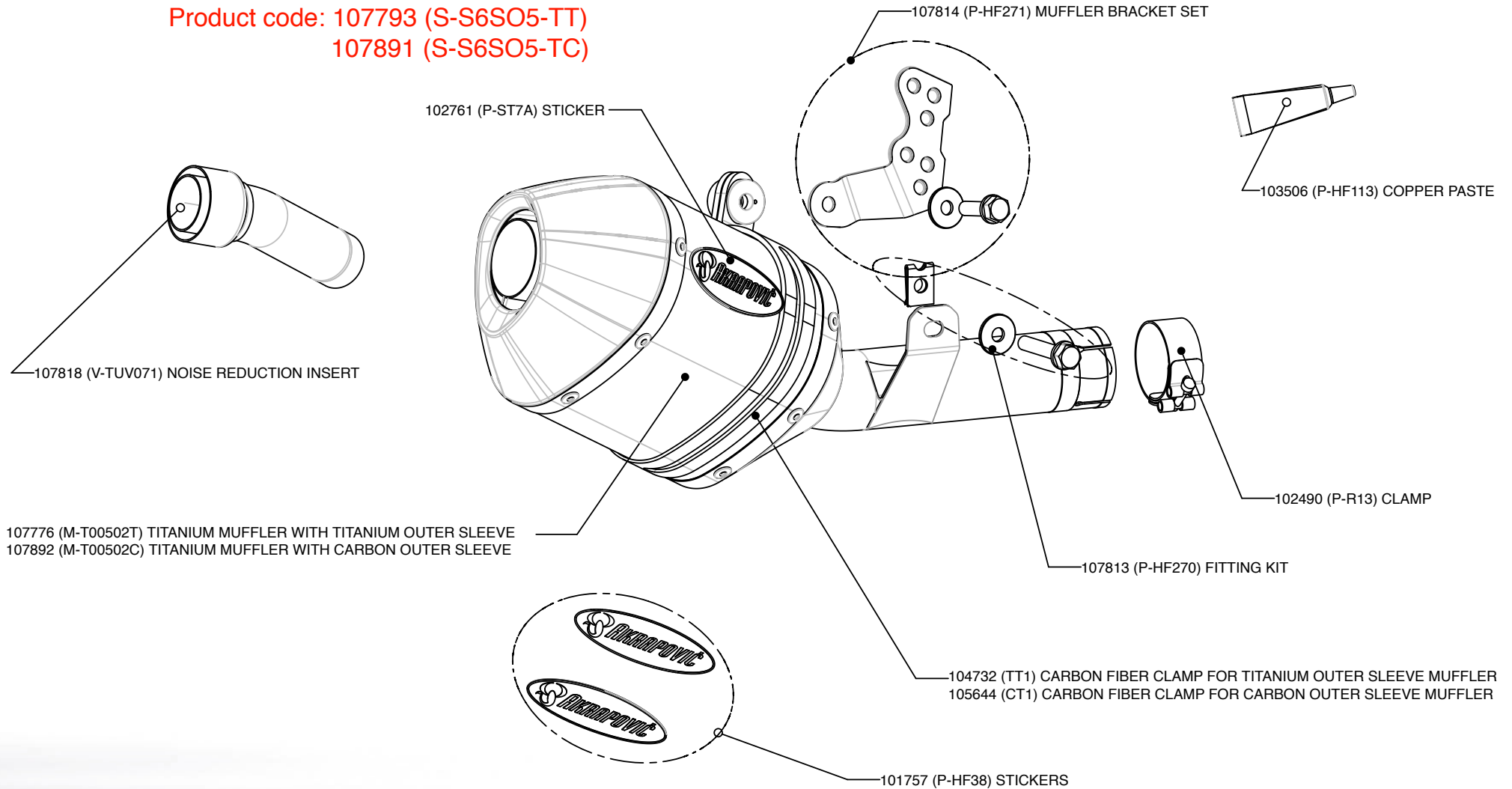
Product code: 107793 (S-S6SO5-TT)
107891 (S-S6SO5-TC)

Akrapovic Slip-On2 Open Exhaust System

for the Suzuki GSX-R 750 (2006 - 2007)

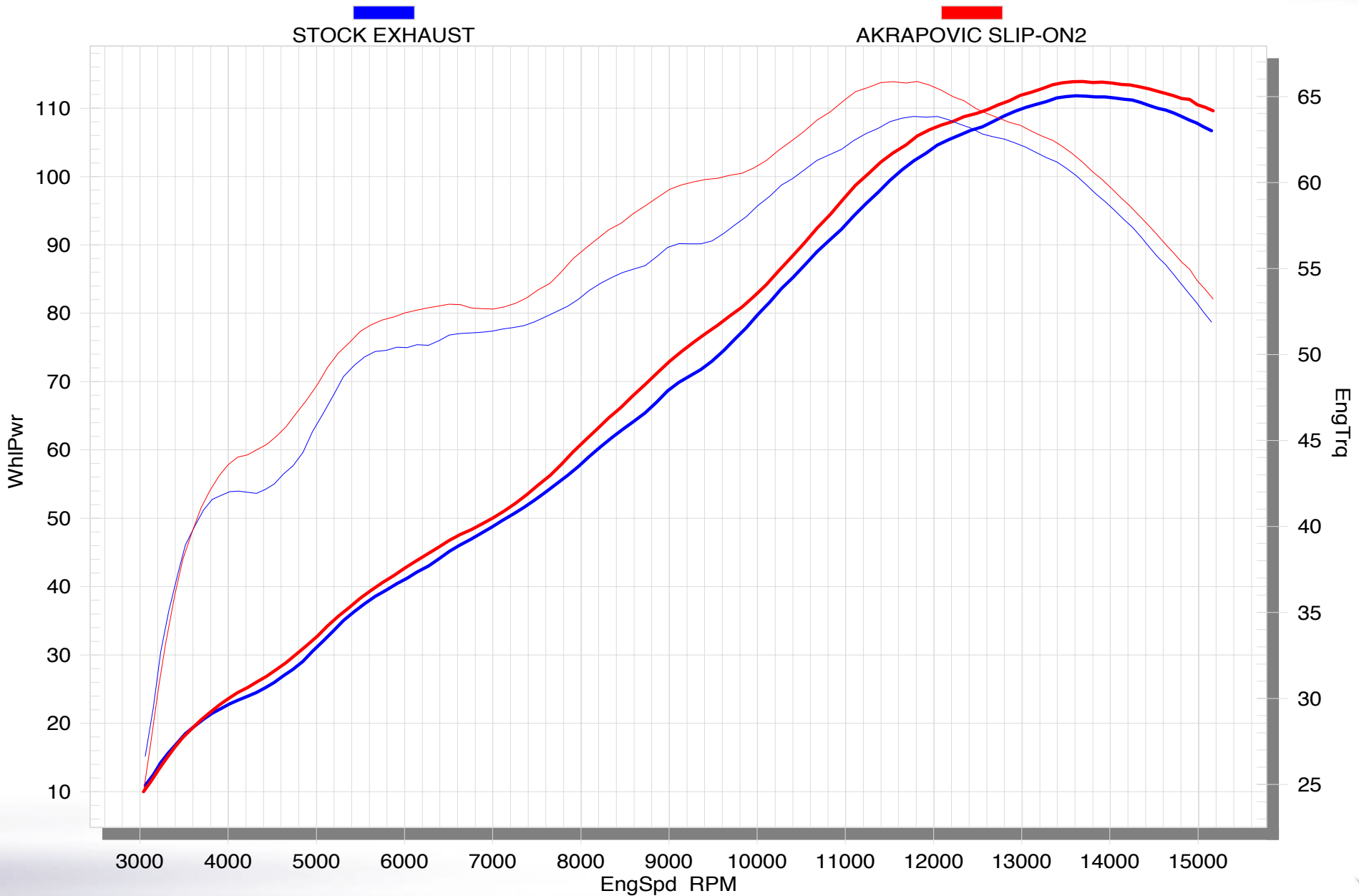
SUZUKI GSX-R 600 / GSX-R 750 Slip-on exhaust system, model year: 2006, 2007

Product code: 107793 (S-S6SO5-TT)
107891 (S-S6SO5-TC)



Product code: 107793 (S-S6SO5-TT)
107891 (S-S6SO5-TC)

Akrapovic Slip-On2 Open Exhaust System for the Suzuki GSX-R 750 (2006 - 2007)



Road Program

Product code: 107793 (S-S6SO5-TT)
107891 (S-S6SO5-TC)

