



Suzuki RM-Z 450 (2007)

Slip-On Exhaust System

Akrapovic Slip-On Exhaust System

for the Suzuki RM-Z 450 (2007)

Akrapovic Slip-On system is intended for recreational drivers. For those requiring more from their motorcycle, we offer the complete Akrapovic Racing and Evolution Systems. Akrapovic Slip-On represents an excellent compromise amongst the quality of execution, capabilities and cost. It is designed for two markets: for the European and other markets it comes with a built-in noise damper, and for the American market it comes with an approved spark arrester.

PERFORMANCE

Measurements of the Akrapovic SLIP-ON system on the SUZUKI RM-Z 450 (with muffler insert):

Power & Torque: the fitting of the Akrapovic Slip-On system noticeably affects the operation of the Suzuki engine. The change is most evident in the lower and higher range of engine rpm, where the value of power and torque are increased. At 8500 rpm, we measured 48.5 HP at the back wheel, the largest difference of 2.7 HP between the serial and Akrapovic power was measured at 10000 rpm.

CONFIGURATION

The system is composed of a flared stainless steel link pipe which is welded to the muffler. It is attached to the stock header assembly with a sleeve joint secured with a metal clamp. The muffler outer sleeve is made of titanium, while the inlet cap, outlet cap and perforated inner sleeve are made of stainless steel because of the weld with the link pipe. The muffler is attached to the frame with an Akrapovic off-road carbon-fibre clamp. It is designed for two markets: for the European and other markets it comes with a built-in noise damper, and for the American market it comes with an approved spark arrester.

	PERFORMANCE		
	stock	AKRAPOVIC	max. increased power
max. rear wheel power HP / rpm (measured on Dynojet ATV)	47.9 / 8300	48.5 / 8500	2.7 / 10000

	CONFIGURATION		
	header tubes	collector	link pipe
material	-	-	STAINLESS STEEL
tube shape	-	-	FLARED

interference crossover tubes	NO	lambda sensor	NO
header tube inner sleeves	-	header tube flanges	-
header tubes - collector connection	-	collector / header tube - link pipe connection	SLEEVE JOINT + METAL CLAMP
link pipe - muffler connection	WELDED	muffler inlet cap / outlet cap	STAINLESS STEEL / STAINLESS STEEL
muffler metal interior	STAINLESS STEEL	muffler outer sleeve	TITANIUM
muffler clamp	CARBON-FIBER OFF ROAD	muffler bracket	-
muffler insert	EU	NOISE DAMPER	-
	US	SPARK ARRESTER	catalytic converter

	ADDITIONAL DATA				
	stock	AKRAPOVIC		difference	
		S.S. link pipe	TITANIUM link pipe	stock - S.S.	stock - titanium
weight comparison (kg)	3.00	2.00	-	1.00	-
noise measurements (dB / rpm)	stock		AKRAPOVIC		
	96 / 5000		96 / 5000		
possibility of periodic service without removing A.E.S.	oil		oil filter		
	YES		YES		
legal for street use	NO				

Technical specifications of Akrapovic exhaust systems and related products subject to change without notice.

Product code: 107088 (S-S4SO5-MT)
107086 (S-S4SO5-MTA) US market

Akrapovic Slip-On Exhaust System for the Suzuki RM-Z 450 (2007)



CARBON-FIBER
MUFFLER CLAMP

Off-Road
Program

Product code: 107088 (S-S4SO5-MT)
107086 (S-S4SO5-MTA) US market

Akrapovic Slip-On Exhaust System for the Suzuki RM-Z 450 (2007)



Akrapovic Exhaust System Technology copyright 2007, all rights reserved

Off-Road
Program

Product code: 107088 (S-S4SO5-MT)
107086 (S-S4SO5-MTA) US market

Akrapovic Slip-On Exhaust System for the Suzuki RM-Z 450 (2007)



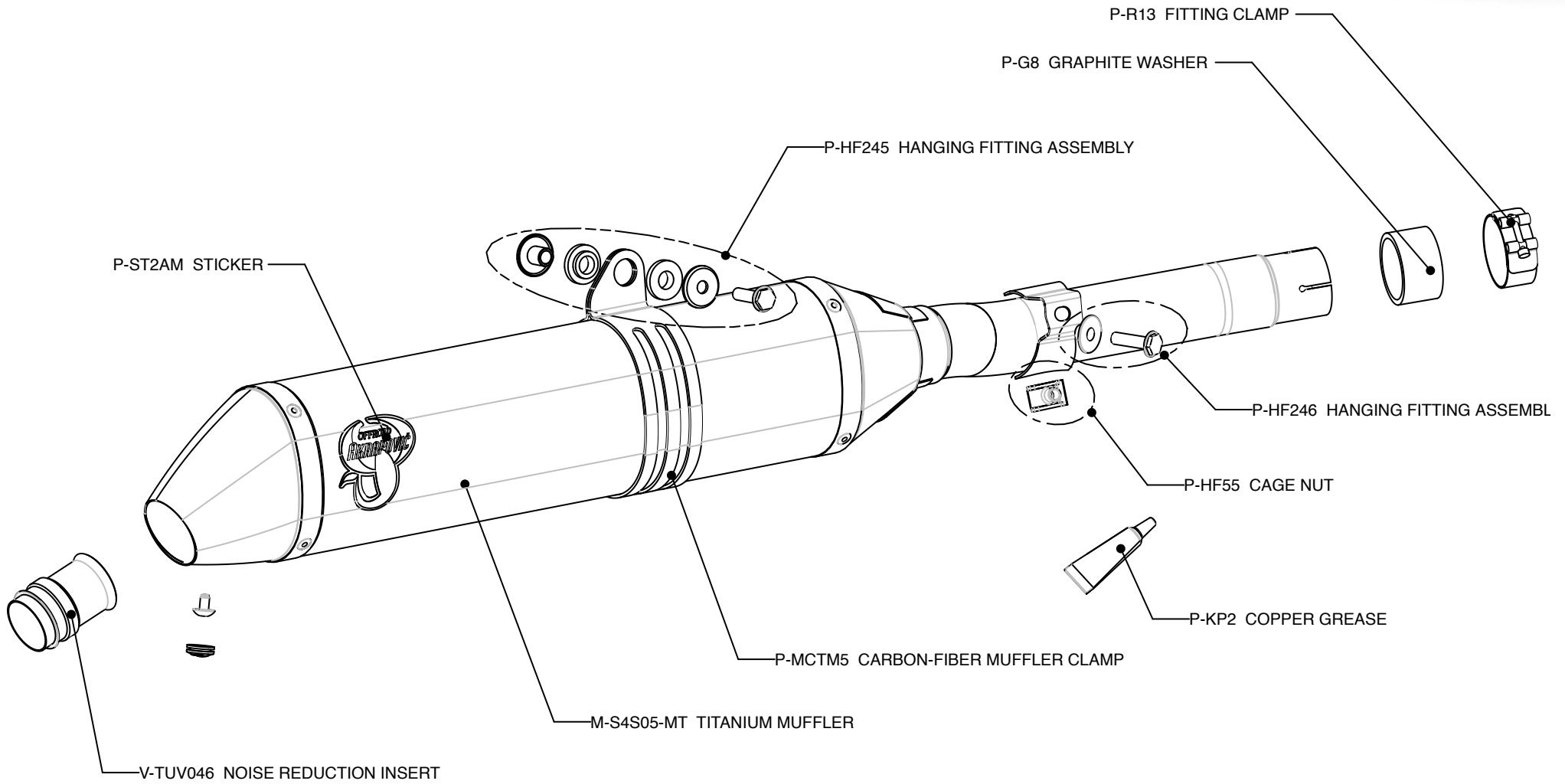
Akrapovic Exhaust System Technology copyright 2007, all rights reserved

Off-Road
Program

Product code: 107088 (S-S4SO5-MT)
107086 (S-S4SO5-MTA) US market

Akrapovic Slip-On Exhaust System

for the Suzuki RM-Z 450 (2007)

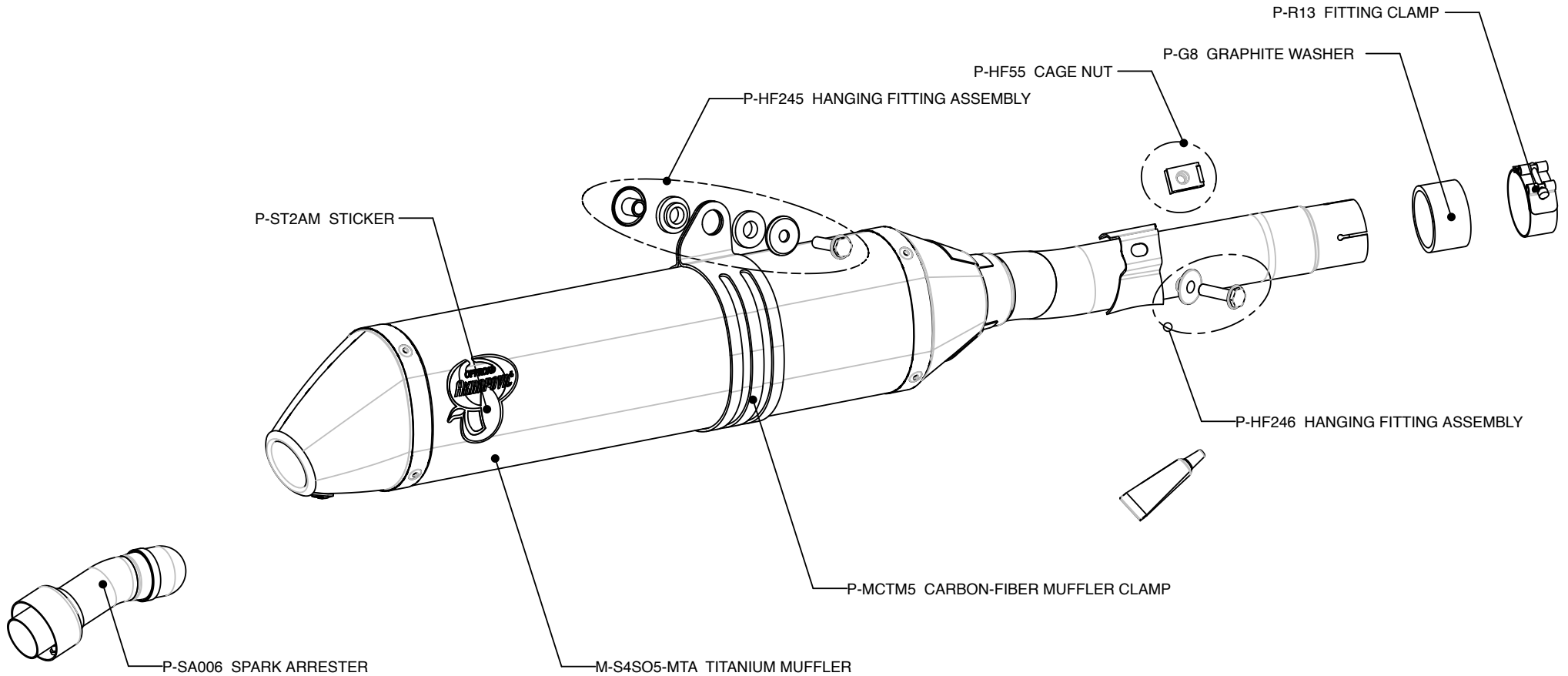


Akrapovic Exhaust System Technology copyright 2007, all rights reserved

Off-Road Program

Product code: 107088 (S-S4S05-MT)

Akrapovic Slip-On Exhaust System for the Suzuki RM-Z 450 (2007)



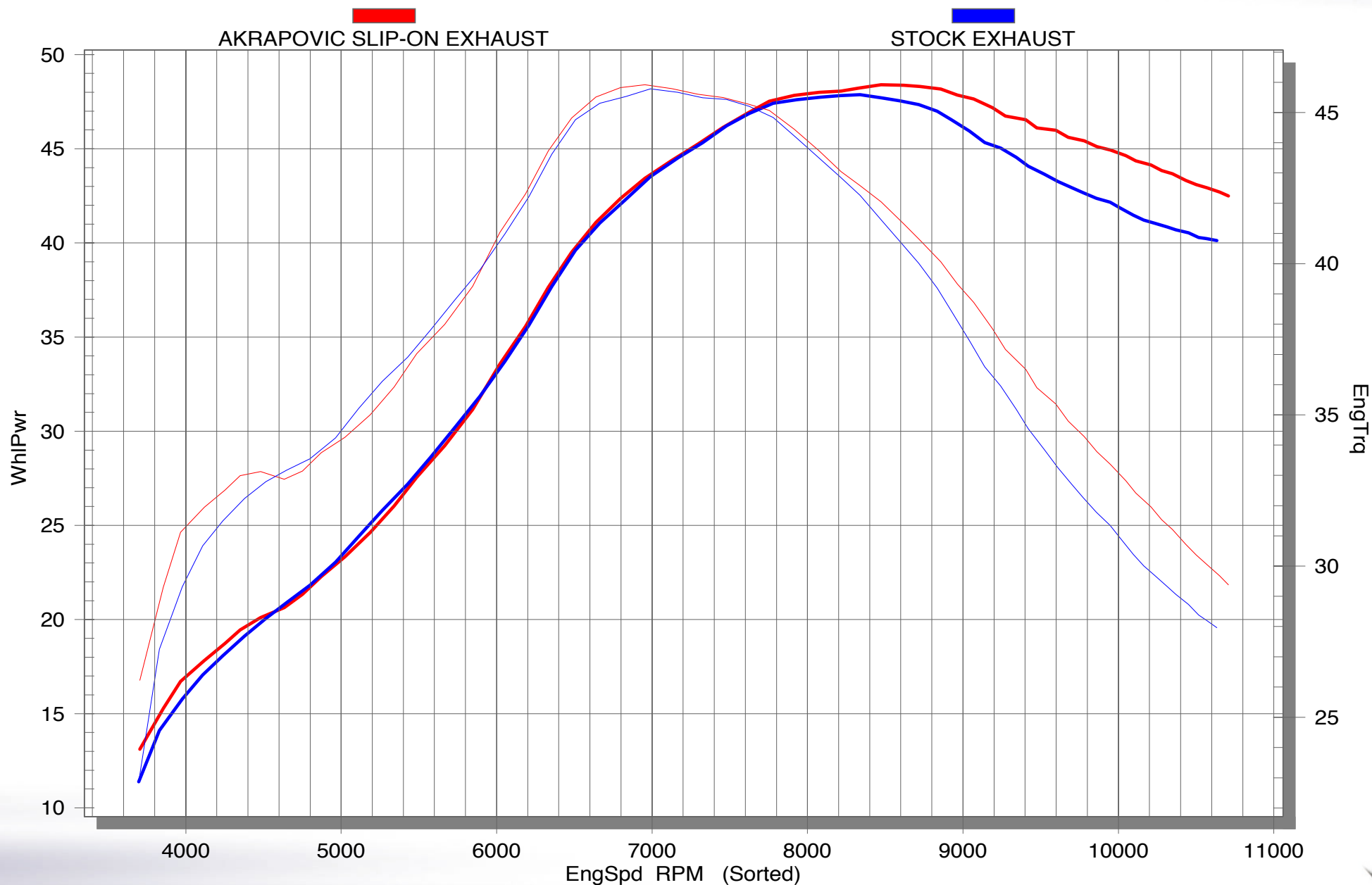
Off-Road
Program

Product code: 107086 (S-S4SO5-MTA) US market



Akrapovic Slip-On Exhaust System

for the Suzuki RM-Z 450 (2007)



Off-Road Program

Product code: 107088 (S-S4SO5-MT)
107086 (S-S4SO5-MTA) US market

