



YAMAHA YFM 350 R (2006)

Slip-On Exhaust System

Akrapovic Slip-On Exhaust System

for the Yamaha YFM 350 R (2006)

The Akrapovic SLIP-ON system is designed for recreational riders of the YFM who are not looking for a major exhaust system modification for their ATV. Even so, the Akrapovic Slip-On system is a high-quality component delivering a solid performance boost and aesthetic enhancement. The Akrapovic SLIP-ON system is designed for two markets. For the European and other non-American markets it is available with a noise damper, and for the US market it comes with an approved spark arrester.

PERFORMANCE

Measurements of the Akrapovic SLIP-ON system on the YAMAHA YFM 350R (without muffler insert):

Power & Torque: the Akrapovic Slip-On system is designed to increase power and torque at the low end and middle of the rpm range, which matches the tuning requirements of recreational riders. The torque increase at the low end and middle of the range is substantial, giving the ATV improved pull. It is also increased in the overrev range.

CONFIGURATION

The Akrapovic Slip-On system is composed of a cylindrical stainless steel link pipe which is welded to the muffler. It is attached to the stock header assembly with a sleeve joint, secured with a metal clamp and a silicon-shielded spring. The inlet cap and perforated inner sleeve are made of stainless steel due to the weld with the link pipe, while the outlet cap is made of titanium. The outer sleeve of the muffler is also made of titanium. The muffler is attached to the ATV using an Akrapovic offroad carbon-fiber clamp. For the European and other non-American markets the system comes with a noise damper, and for the US market it comes with an approved spark arrester, which is marked on the muffler with a laser engraving.

	PERFORMANCE		
	stock	AKRAPOVIC	max. increased power
max. rear wheel power HP / rpm (measured on Dynojet ATV)	23.3 / 7100	22.7 / 7050	1.56 / 4700

	CONFIGURATION		
	header tubes	collector	link pipe
material	-	-	STAINLESS STEEL
tube shape	-	-	CYLINDRICAL

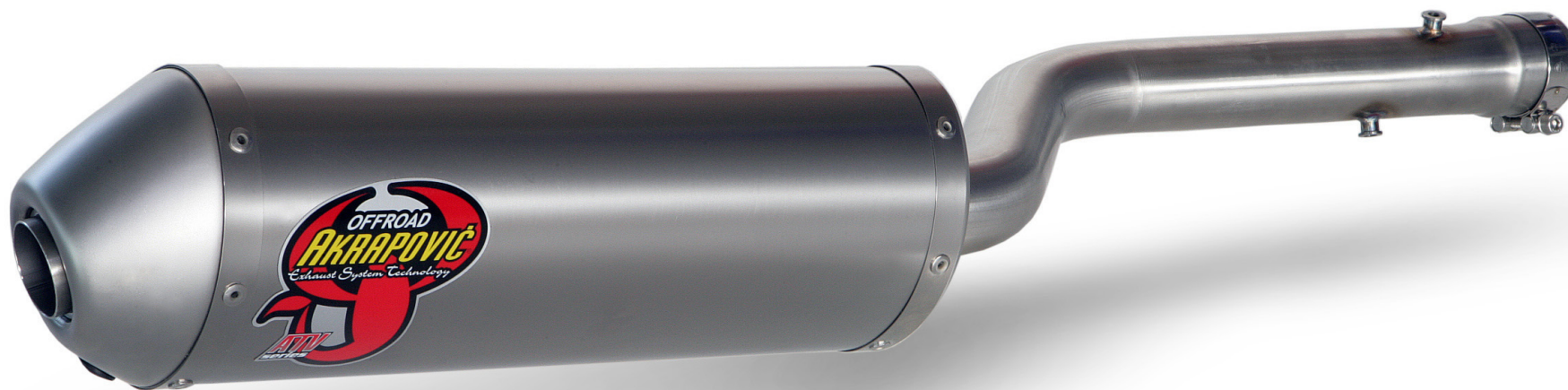
interference crossover tubes	-	lambda sensor	-	
header tube inner sleeves	-	header tube flanges	-	
header tubes - collector connection	-	collector / header tube - link pipe connection	SLEEVE JOINT + METAL CLAMP	
link pipe - muffler connection	WELDED	muffler inlet cap / outlet cap	STAINLESS STEEL / TITANIUM	
muffler metal interior	STAINLESS STEEL	muffler outer sleeve	TITANIUM	
muffler clamp	CARBON-FIBER OFFROAD	muffler bracket	-	
muffler insert	EU	NOISE DAMPER	heat shield	-
	US	SPARK ARRESTER	catalytic converter	-

	ADDITIONAL DATA				
	stock	AKRAPOVIC		difference	
weight comparison (kg)	3.86	S.S. link pipe	TITANIUM link pipe	stock - S.S. link pipe	stock - T1 link pipe
		2.24	-	1.62	-
noise measurements (dB / rpm)	stock		AKRAPOVIC		
	89 / 3500		95 / 3500		
possibility of periodic service without removing A.E.S.	oil		oil filter		
	YES		YES		
legal for street use	NO				

Technical specifications of Akrapovic exhaust systems and related products subject to change without notice.

Product code: 105514 (AS-Y3SO1-DT) EU market
105515 (AS-Y3SO1-DTA) US market

Akrapovic Slip-On Exhaust System for the Yamaha YFM 350 R (2006)



CARBON-FIBER
MUFFLER CLAMP

Akrapovic Exhaust System Technology copyright 2005, all rights reserved

ATV
Series

Product code: 105514 (AS-Y3SO1-DT) EU market
105515 (AS-Y3SO1-DTA) US market

Akrapovic Slip-On Exhaust System for the Yamaha YFM 350 R (2006)



Akrapovic Exhaust System Technology copyright 2005, all rights reserved

ATV
Series

Product code: 105514 (AS-Y3SO1-DT) EU market
105515 (AS-Y3SO1-DTA) US market

Akrapovic Slip-On Exhaust System for the Yamaha YFM 350 R (2006)

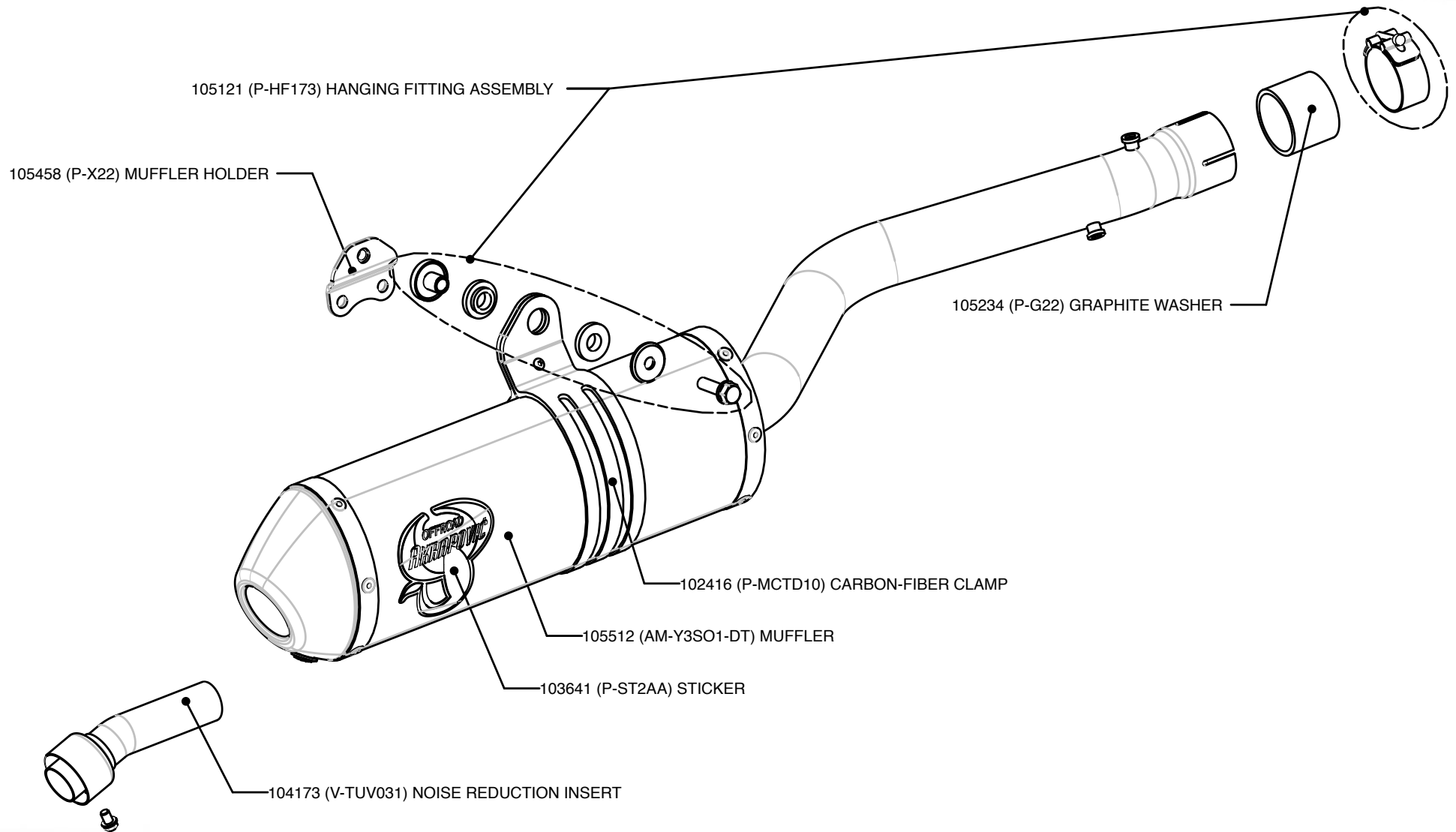


Akrapovic Exhaust System Technology copyright 2005, all rights reserved

ATV
Series

Product code: 105514 (AS-Y3SO1-DT) EU market
105515 (AS-Y3SO1-DTA) US market

Akrapovic Slip-On Exhaust System for the Yamaha YFM 350 R (2006)

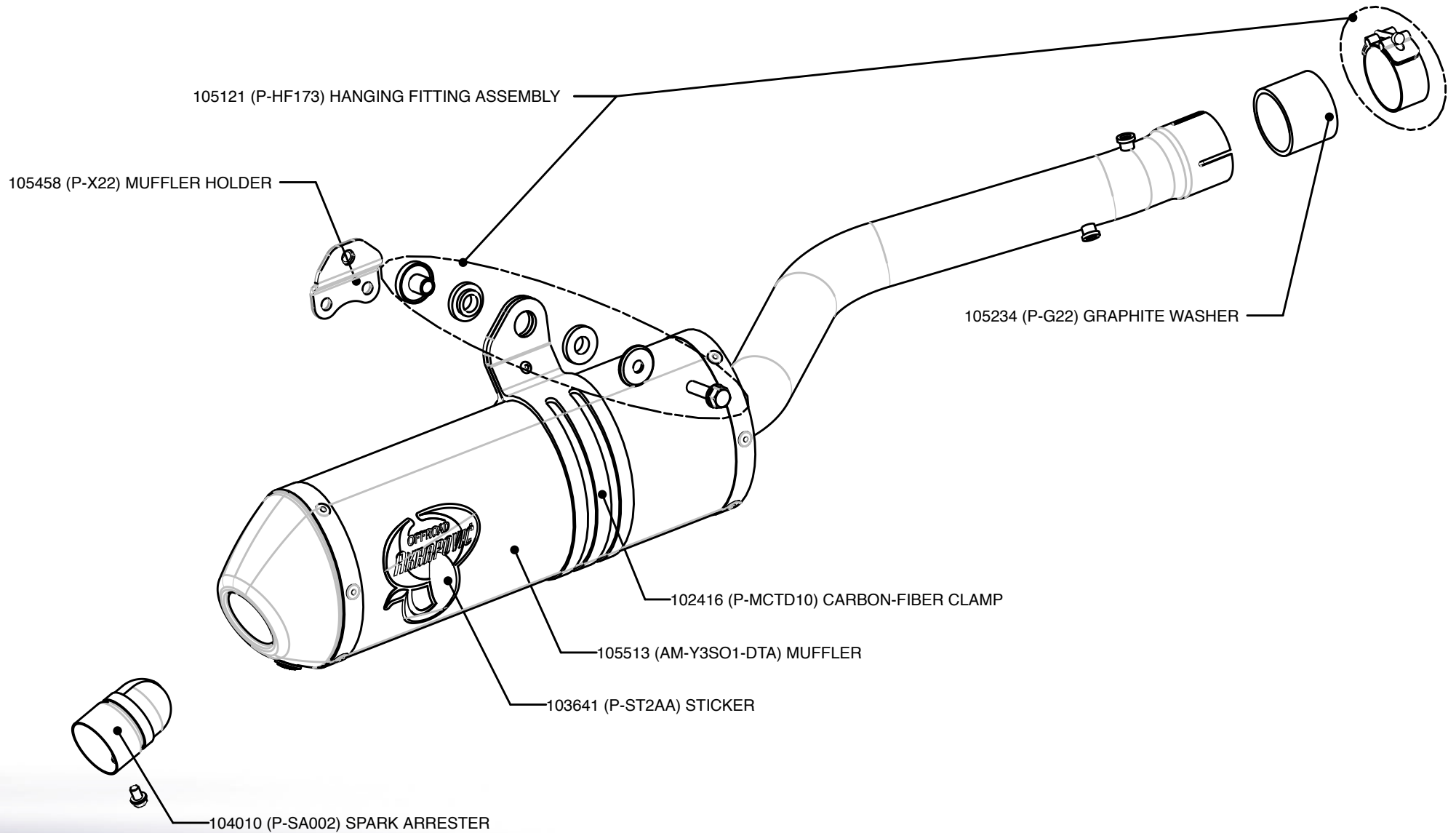


Akrapovic Exhaust System Technology copyright 2005, all rights reserved

ATV
Series

Product code: 105514 (AS-Y3SO1-DT) EU market

Akrapovic Slip-On Exhaust System for the Yamaha YFM 350 R (2006)



Akrapovic Exhaust System Technology copyright 2005, all rights reserved

ATV
Series

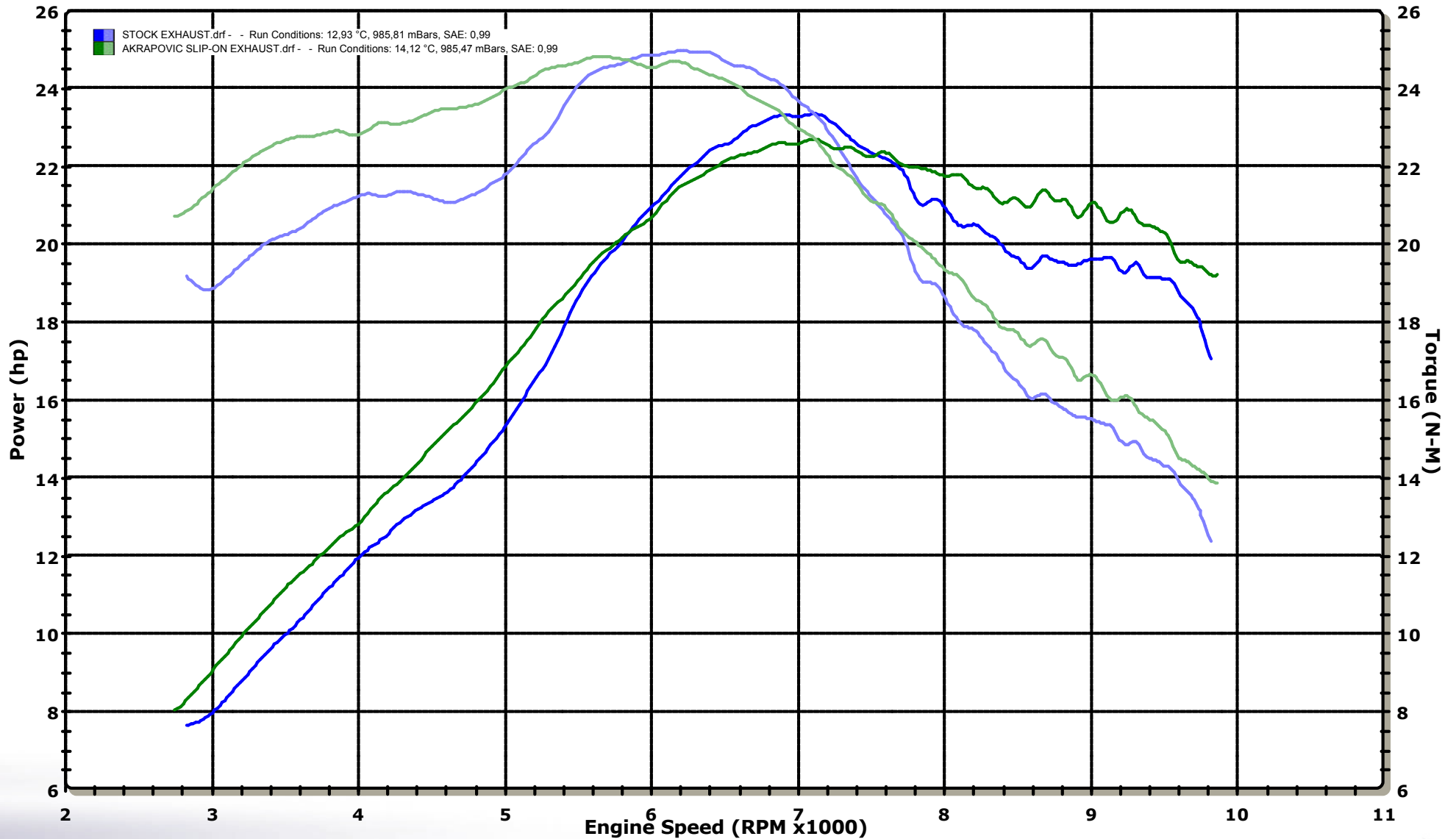
Product code: 105515 (AS-Y3SO1-DTA) US market



Akrapovic Slip-On Exhaust System for the Yamaha YFM 350 R (2006)

DYNOJET RESEARCH
AKRAPOVIC EXHAUST SYSTEM TECHNOLOGY

CF: SAE Smoothing: 5



Akrapovic Exhaust System Technology copyright 2005, all rights reserved

ATV Series

Product code: 105514 (AS-Y3SO1-DT) EU market
105515 (AS-Y3SO1-DTA) US market

