



Kawasaki ZX 10 R (2004)

Slip-On Exhaust System

Akrapovic Slip-On Exhaust System

for the Kawasaki ZX 10 R (2004)

For Kawasaki's latest road warrior, we have also developed an Akrapovic SLIP-ON partial exhaust system in addition to our complete exhaust systems. The system is an excellent compromise between price, performance, modern materials and high-quality workmanship. Another important element is the aesthetic harmony with the radical lines of the new ZX.

PERFORMANCE

Measurements of the Akrapovic SLIP-ON system on the KAWASAKI ZX 10 R:

Power: the Kawasaki responds well to a partial modification of the exhaust, delivering a significant performance increase. The power increase begins right at 3000 rpm, and the increase continues to grow right into the overrev range. At 11900 rpm it puts out 161.8 HP, and the max. increased power is 5.4 HP at 12200 rpm. Of course we can't expect truly searing results from a first-level tuning component. Those who are seeking a greater amount of power should refer to our complete exhaust systems for the new ZX.

Torque: the system is well-adapted to the Kawasaki engine. The Akrapovic torque curve never deviates from the direction of the stock curve. Torque begins to increase at 2800 rpm and continues to expand throughout the entire rpm range.

CONFIGURATION

The conical stainless steel link pipe is connected to the stock header assembly by a free-floating joint doubly secured with a metal clamp and a silicon-shielded tensioning spring. An identical spring secures the free-floating joint between the link pipe and the Akrapovic muffler. The muffler outer sleeve is available in either titanium or carbon-fiber, with no difference in performance. The muffler is attached to the bike with an Akrapovic carbon-fiber Road clamp.

OPTIONS

The muffler outer sleeve is available in either titanium or carbon-fiber.

	PERFORMANCE		
	stock	AKRAPOVIC	max. increased power
max. rear wheel power HP / rpm (measured on SuperFlow Cycle Dyn)	158.4 / 11880	161.8 / 11900	5.4 / 12200

	CONFIGURATION		
	header tubes	collector	link pipe
material	-	-	STAINLESS STEEL
tube shape	-	-	CONICAL

interference crossover tubes	-	lambda sensor	-
header tube inner sleeves	-	header tube flanges	-
header tubes - collector connection	-	collector / header tube - link pipe connection	FREE-FLOATING + METAL CLAMP + SILICON SHIELDED SPRING
link pipe - muffler connection	FREE-FLOATING + SILICON SHIELDED SPRING	muffler inlet cap /outlet cap	TITANIUM / TITANIUM
muffler metal interior	TITANIUM	muffler outer sleeve	TITANIUM / CARBON FIBER
muffler clamp	1x CARBON-FIBER ROAD	muffler bracket	-
noise damper	-	heat shield	-

OPTIONS				
link pipe	noise damper	muffler outer sleeve	muffler bracket	heat shield
-	-	TITANIUM / CARBON-FIBER	-	-

	ADDITIONAL DATA				
	stock	AKRAPOVIC		difference	
		S.S. link pipe	TITANIUM link pipe	stock - S.S.	stock - titanium
weight comparison (kg)	3.29	1.95	-	1.34	-
noise measurements (dB / rpm)	stock		AKRAPOVIC		
	95.3 / 5800		93.5 / 5800		
possibility of periodic service without removing A.E.S.	oil		oil filter		
	YES		YES		
legal for street use	NO				

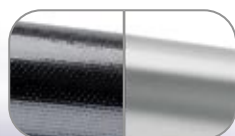
Technical specifications of Akrapovic exhaust systems and related products subject to change without notice.

Akrapovic Slip-On Exhaust System for the Kawasaki ZX 10 R (2004)



Akrapovic Exhaust System Technology copyright 2004, all rights reserved

Road
Program



The outer sleeve is available in carbon-fiber or titanium



CARBON-FIBER
MUFFLER CLAMP

Product code: 102585 (S-K10SO2-C), 102584 (S-K10SO2-T)

Akrapovic Slip-On Exhaust System for the Kawasaki ZX 10 R (2004)



Akrapovic Exhaust System Technology copyright 2004, all rights reserved

Road
Program

Akrapovic Slip-On Exhaust System for the Kawasaki ZX 10 R (2004)



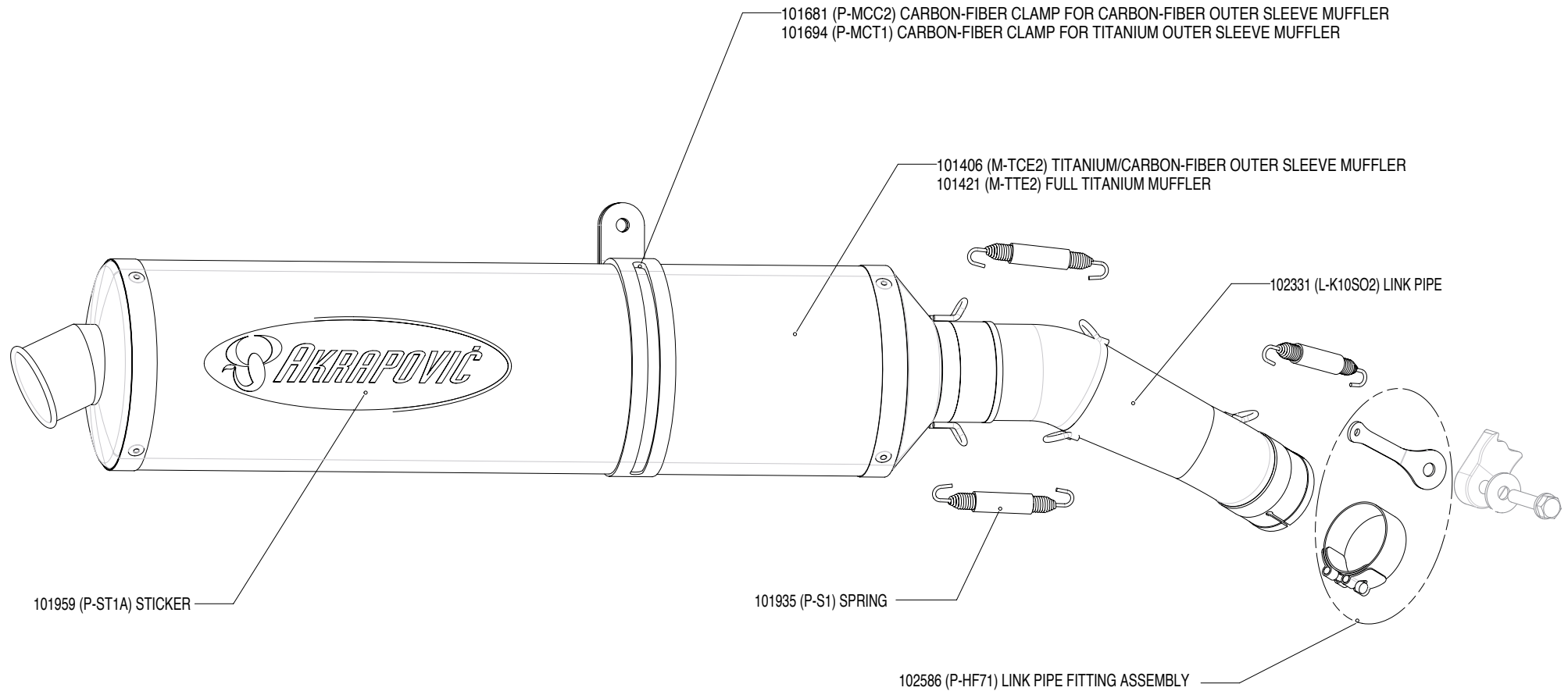
Akrapovic Exhaust System Technology copyright 2004, all rights reserved

Road
Program

Product code: 102585 (S-K10SO2-C), 102584 (S-K10SO2-T)



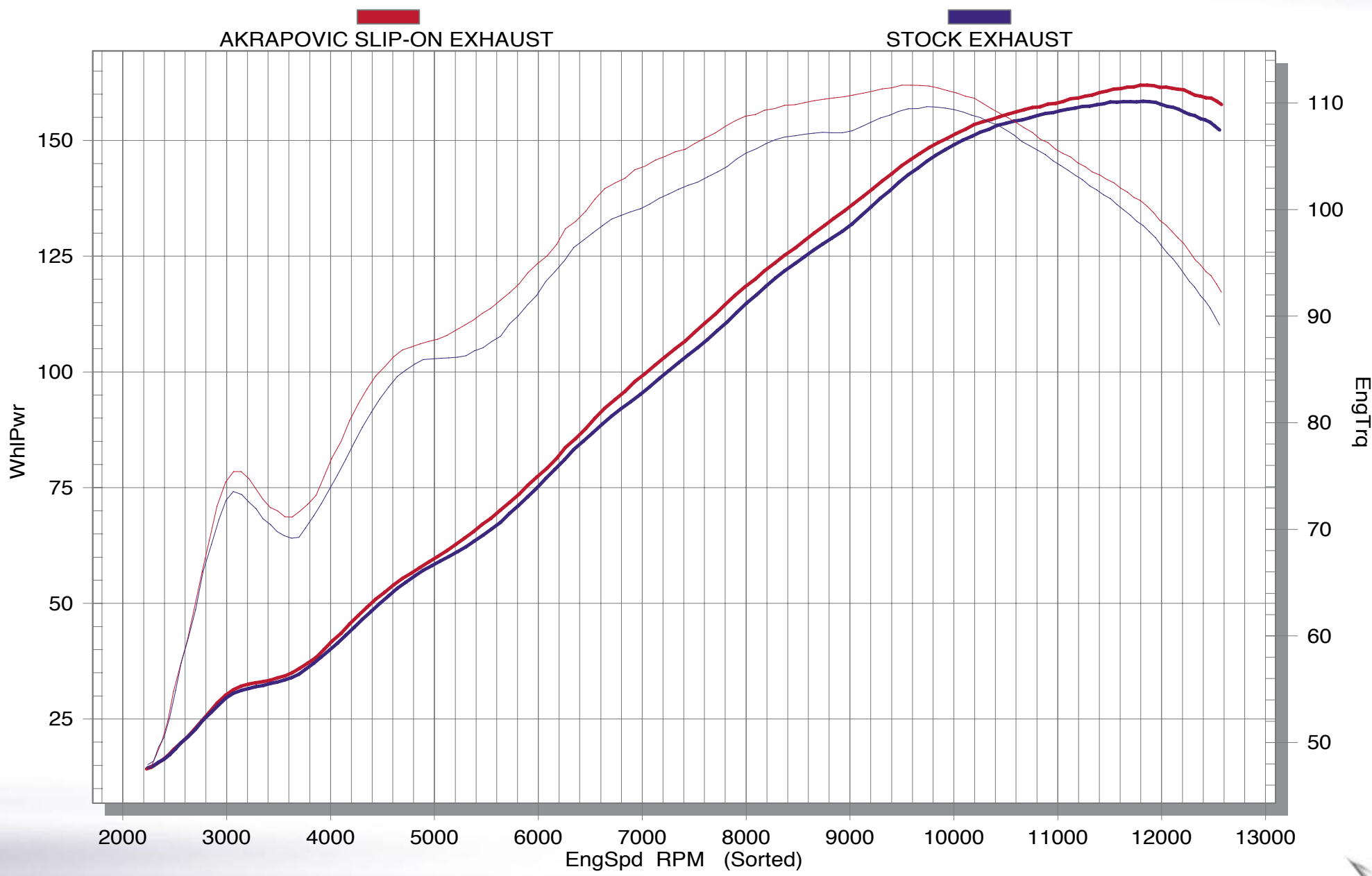
Akrapovic Slip-On Exhaust System for the Kawasaki ZX 10 R (2004)



Akrapovic Exhaust System Technology copyright 2004, all rights reserved

Road Program

Akrapovic Slip-On Exhaust System for the Kawasaki ZX 10 R (2004)



Road Program



Akrapovic Exhaust System Technology copyright 2004, all rights reserved